

MODEL FL-20A

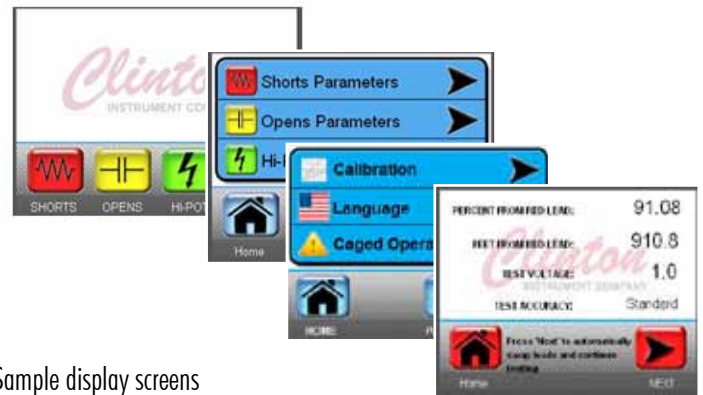
Cable Fault Locator

- >> Quickly locates opens, shorts and high voltage shorts in cable lengths
- >> Fully automated testing
- >> Simple to operate
- >> Color touch screen
- >> Compact, lightweight unit
- >> CE approved



Reels of rejected multi-conductor and shielded cable sitting on the production floor are an expensive problem. Until now, finding opens and shorts with an analog cable fault locator took expertise and patience, since the procedure required tedious meter and sensitivity adjustments as well as mathematical calculation once the test was completed.

The digital FL-20A automates cable fault detection, greatly reducing the time and training required to find these problems. Opens, metallic shorts, or high voltage shorts between conductors or between conductor and shield are pinpointed quickly and with ease. The operator simply connects the FL-20A test probes to each end of the cable under test, enters the cable length on the digital touch screen, and selects “Shorts” or “Opens” to begin the test. The unit quickly calculates the distance of the fault site from each test probe, displays the location in feet or meters, and provides a suggested trim area. The failure can then be cut out or repaired and the remaining good product salvaged, resulting in great savings to the producer.



Sample display screens

The FL-20A Cable Fault Locator, a compact 15”W x 14”D x 10”H weighing only 38 lbs., is significantly smaller and lighter than its predecessors. It promises a great return on investment by salvaging expensive cable assemblies and lowering the costs associated with salvage.

FL-20A SPECIFICATIONS

Fault Definitions:

- Open.....A condition where a single conductor has no continuity from one end to the other.
- Metallic Short.....Two conductors without insulation or a conductor and a shield which physically come into contact with one another.
- High Voltage ShortTwo conductors or a conductor and a shield which have no insulation between them but do not contact one another.
- Voltage Test Range0-20KV D.C.
- Display6-inch backlit color TFT touch screen.
- Output Current.....6 ma. maximum.

Equipment Accuracy.....Better than 1% of total cable length (dependent on accuracy of actual cable footage and product uniformity).

Cable Loop Resistance

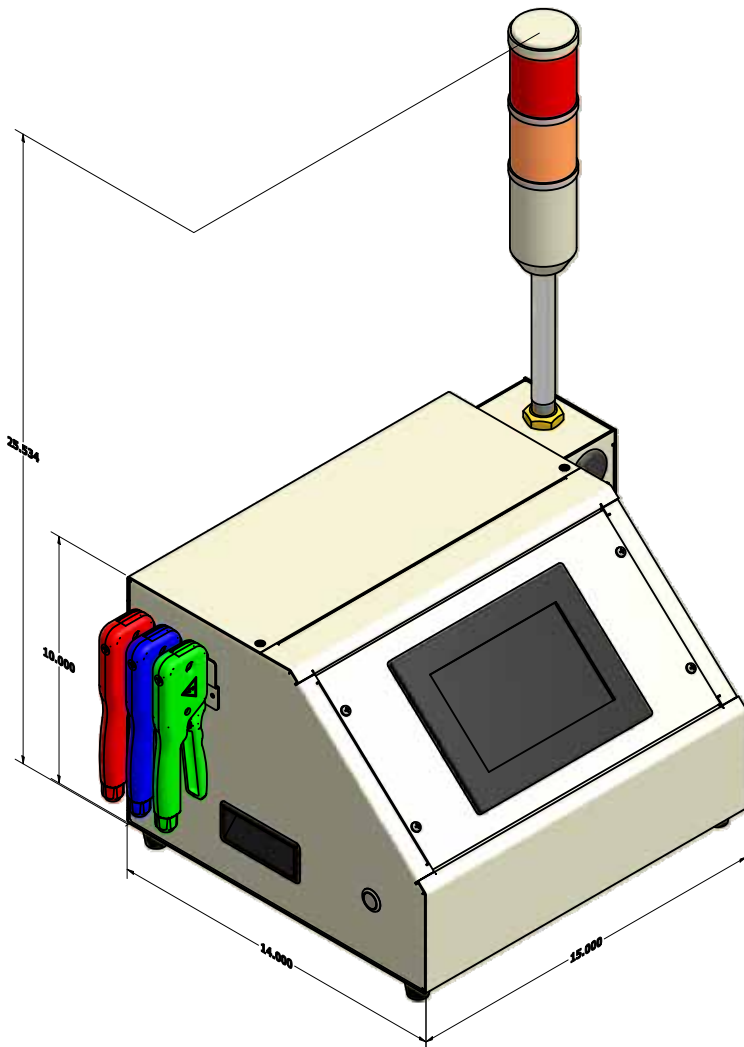
- Metallic Short50 milliohms minimum.
- High Voltage Short.....300 milliohms minimum.

Dimensions:

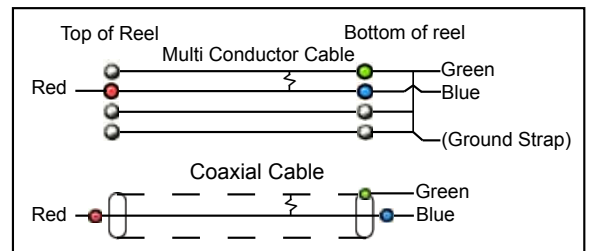
- FL-20A.....15"W x 14"D x 10"H.
- FL-20A with X3F15"W x 14"D x 25.5"H.
- Test Leads.....10' standard, 20 & 30 ft. available.

Weight38 lbs. (17.3kg.)

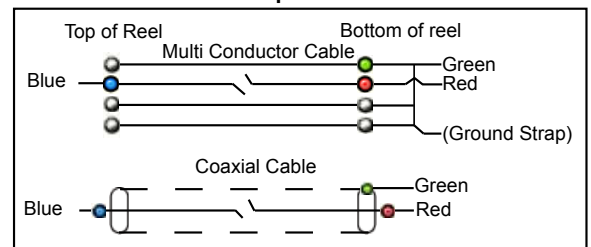
Power Requirements100 - 240 volts AC, 50/60 Hz 2 amps.



Typical Lead Connections Shorts



Opens



Clinton
INSTRUMENT COMPANY

295 East Main St. • Clinton, CT 06413 USA • Tel: 860.669.7548 • Fax: 860.669.3825 • www.clintoninstrument.com

Specifications subject to change without notice. 11/11 EN